

DATE	SYM	REVISION RECORD	AUTH	DR

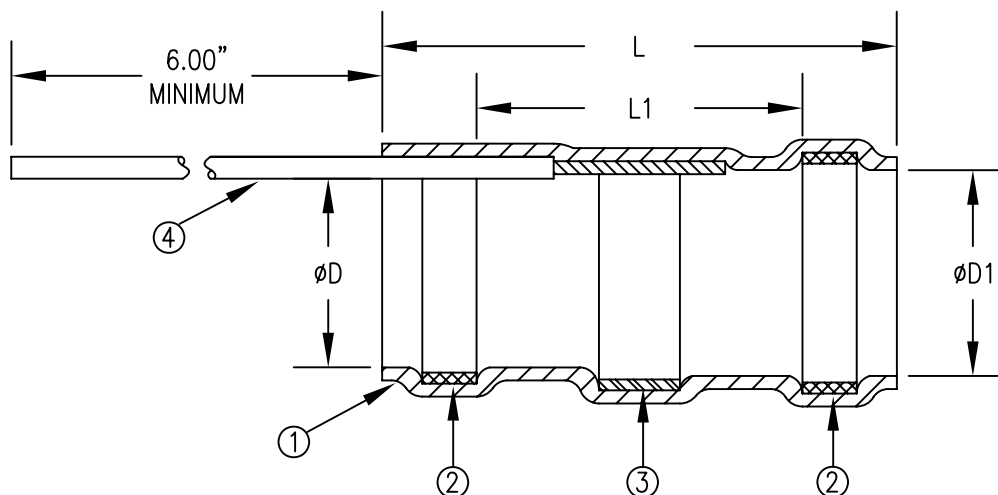



TABLE I: PRODUCT DETAILS

SAE AS83519/2 PART NUMBER	MARKING CODE *CLASS II NO. "SO" PREFIX	SUMITOMO PART NUMBER *CLASS II ADD. -C2 SUFFIX	L ± .070	L1 MINIMUM	ϕD MINIMUM	$\phi D1$ MINIMUM
AS83519/2-11	S0211S	H-ML-11	.650	.325	.075	.105
AS83519/2-12	S0212S	H-ML-12	.650	.325	.105	.145
AS83519/2-13	S0213S	H-ML-13	.650	.325	.170	.200
AS83519/2-14	S0214S	H-ML-14	.750	.325	.235	.255
AS83519/2-15	S0215S	H-ML-15	.750	.325	.275	.300

MATERIALS:

- ① INSULATION SLEEVE:
HEAT-SHRINKABLE, RADIATION CROSSLINKED, MODIFIED POLYVINYLIDENE FLUORIDE.
COLOR = TRANSPARENT BLUE.
- ② MELTABLE SEALING RING:
THERMALLY STABILIZED THERMOPLASTIC. COLOR = 2 BLUE.
- ③ SOLDER PREFORM:
ALLOY - Sn63 WITH RED THERMOCHROMIC INDICATOR, EUTECTIC AT 183°C. PER ANSI-J-STD-006.
*(CLASS II = NO RED THERMOCHROMIC INDICATOR)
FLUX - ROL1 TYPE RMA FLUX FOR SILVER OR TIN APPLICATIONS. PER ANSI-J-STD-004.
- ④ PRE-INSTALLED WIRE LEAD PER MIL-W-22759/32-24-90.

DIMENSIONS ARE IN INCHES TOLERANCES: (EXCEPT AS NOTED)		
LINEAR 0.0 = N/A 0.00 = N/A 0.000 = N/A	ANGULAR 0° = N/A 0°0' = N/A 0°00' = N/A	
An STS PRODUCT		915 ARMORLITE DR., SAN MARCOS, CA 92069
DRAWN N. CANADAY 04-11-07		TITLE: SOLDER TERMINATION SLEEVE WITH PRE-INSTALLED LEAD ENVIRONMENT RESISTANT. SAE AS83519/2 QUALIFIED.
APPROVED Jon M. Mills 04-11-07	OTHER REF. SAE AS83519/2 (11-15)	DRAWING NUMBER: H-ML-X SAE AS83519/2 (11-15) REV
ORIG. DATE 04-11-07	REPLACES DWG NO. SAE AS83519/2	SCALE: NONE
		CAD NO. H-ML-X SAE AS83519/2 (11-15) SHEET 1 OF 2

DATE	SYM	REVISION RECORD	AUTH	DR

RECOMMENDED CABLE PREPARATIONS:

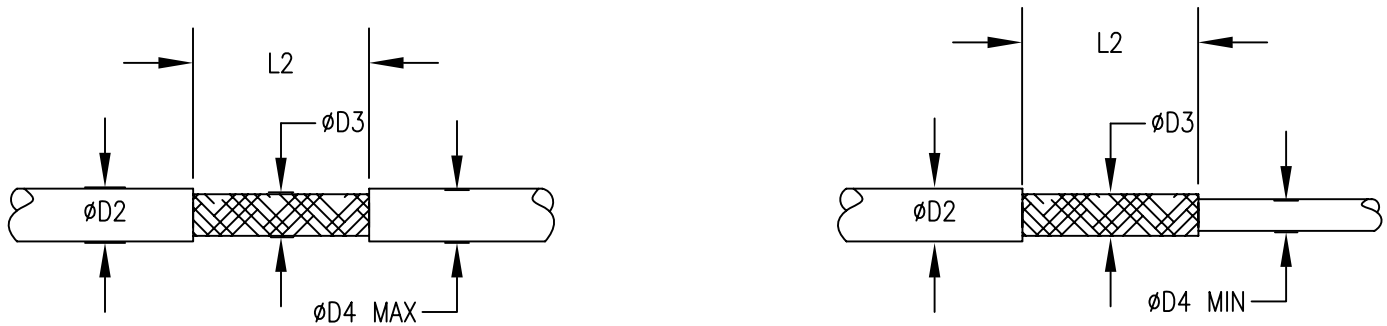


TABLE II: CABLE PREPARATION MEASUREMENTS

SUMITOMO PART NUMBER <small>*CLASS II ADD. -C2 SUFFIX</small>	øD2 MAXIMUM	øD3 MINIMUM	øD4 MAXIMUM	øD4 MINIMUM	L2 RANGE
H-ML-11	.105	.035	.075	.020	.250-.325
H-ML-12	.145	.055	.105	.030	.250-.325
H-ML-13	.200	.085	.170	.050	.250-.325
H-ML-14	.255	.130	.235	.070	.250-.325
H-ML-15	.300	.170	.275	.100	.250-.325

NOTES:

1. THESE PRODUCTS ARE TESTED AND QUALIFIED TO SAE AS83519/2 STANDARDS AND ARE LISTED ON THE QPL (CLASS I). PLEASE REFER TO THE SUMITOMO ELECTRIC STS INSTALLATION GUIDE FOR RECOMMENDED ASSEMBLY INFORMATION.
2. TEMPERATURE RANGE: -55°C TO +150°C.
3. SEIP CAGE CODE: 1JX75.

DIMENSIONS ARE IN INCHES TOLERANCES: (EXCEPT AS NOTED)		 915 ARMORLITE DR., SAN MARCOS, CA 92069	
LINEAR 0.0 = N/A 0.00 = N/A 0.000 = N/A	ANGULAR 0° = N/A 0°0' = N/A 0°00' = N/A		
An STS PRODUCT		TITLE: SOLDER TERMINATION SLEEVE WITH PRE-INSTALLED LEAD ENVIRONMENT RESISTANT. SAE AS83519/2 QUALIFIED.	
DRAWN N. CANADAY 04-11-07	APPROVED Jon M. Mills 04-11-07	DRAWING NUMBER: H-ML-X SAE AS83519/2 (11-15)	REV -
OTHER REF. SAE AS83519/2 (11-15)	ORIG. DATE 04-11-07	REPLACES DWG NO.: SAE AS83519/2	SCALE: NONE
		CAD NO. H-ML-X SAE AS83519/2 (11-15)	SHEET 2 OF 2