

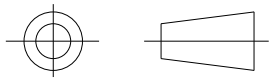
Heatshrinkable moulded shapes Low Profile Transition Boots - HellermannTyton

DRAWING No.
152073

SHT. 1
OF
1 SHTS.

© THE COPYRIGHT OF THIS DRAWING IS RESERVED BY HELLERMANN TYTON. IT IS ISSUED ON CONDITION THAT IT IS NOT COPIED, REPRODUCED OR DISCLOSED TO A THIRD PARTY EITHER WHOLLY OR IN PART WITHOUT THE CONSENT IN WRITING OF HELLERMANN TYTON.

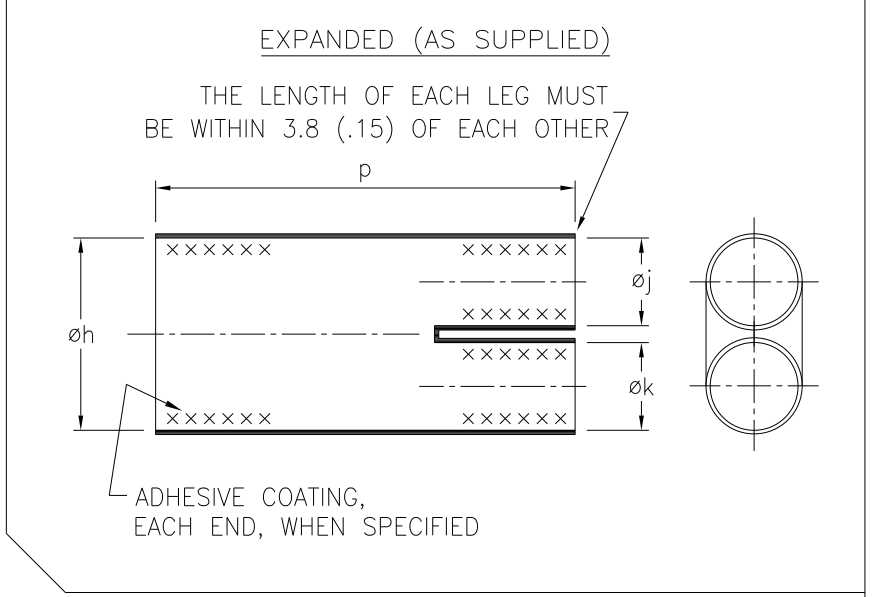
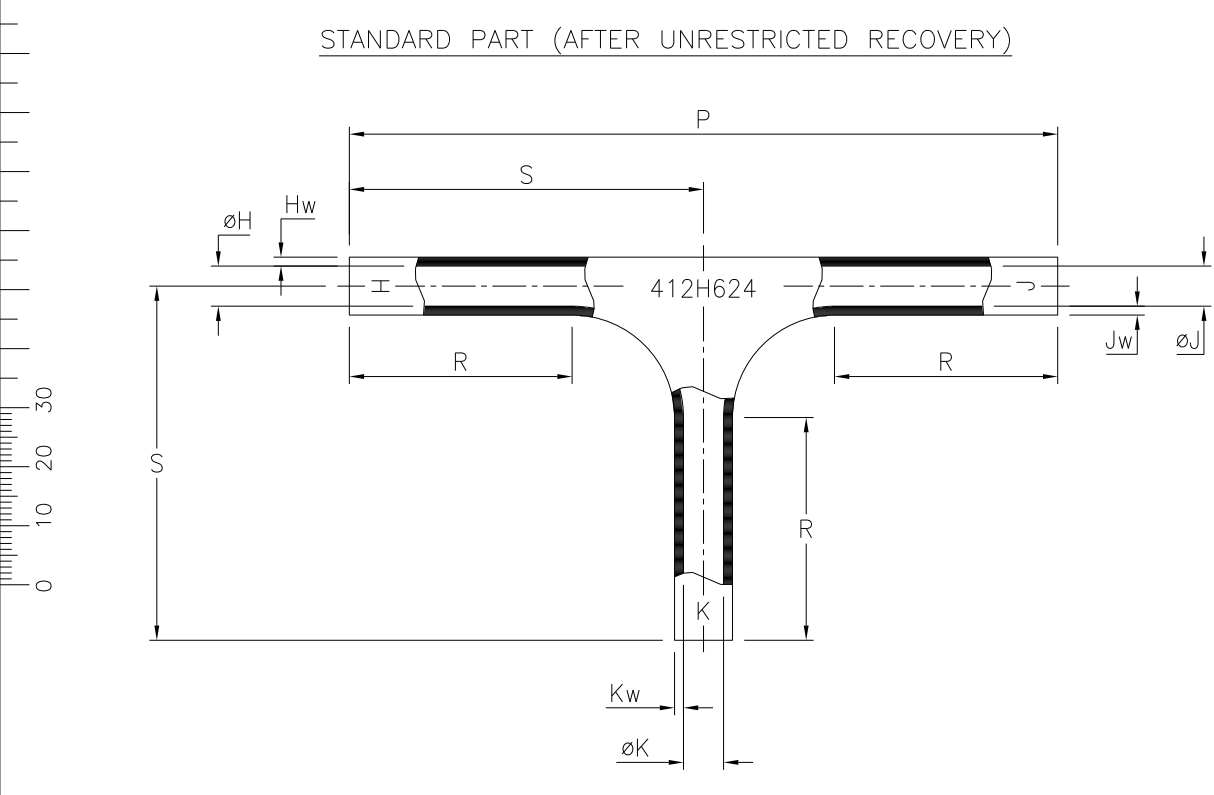
THIRD ANGLE PROJECTION



BS 8888

DO NOT SCALE
IF IN DOUBT ASK

Q.A.	H/S SETT
H/S Q.A.	REL. INSP.
H/S PROD	EXT. ISS. CODE 10



FOR MOULDING PURPOSES ONLY

MOULD SHAPE	øH	øJ,K	P	R	S	Hw,Jw,Kw
412H624-*	17.5	17.5	175.8	63.5	87.9	1.8

PART NO.	EXPANDED DIMENSIONS (AS SUPPLIED)			RECOVERED DIAMETERS		RECOVERED DIMENSIONS			
	øh	øj,k	p	øH	øJ,K	P	R	S	Hw,Jw,Kw
	MIN	MIN	TOL	MAX	MAX	NOM	±10%	NOM	NOM
412H624-*	60.2 (2.37)	40.1 (1.58)	114.3 ±12.7 (4.50 ±.50)	20.1 (.79)	20.1 (.79)	175.8 (6.92)	63.5 (2.50)	87.9 (3.46)	1.5 (.06)

* ALL MATERIAL CODES

Heatshrinkable moulded shapes Low Profile Transition Boots - HellermannTyton For information only, not subject to technical changes.

2	P1304	DNH	09/02/10
1	P1192	S.Almond	03/04/08
ISSUE	NOTE No.	DRAWN	DATE

HellermannTyton

Pennycross Close, Plymouth, Devon, England
Tel ++44 (0) 1752 701261 Fax ++44 (0) 1752 790058

NAME	S.Almond	SCALE	NTS	ADHESIVE	A3 ORIGINAL SHEET SIZE 420mm x 297mm	SHT. 1 OF 1 SHTS.
DATE	03/04/08	DIMS IN	mm (in)			
TITLE	TEE SLEEVE			PART No.	DRAWING No.	
				412H624	152073	