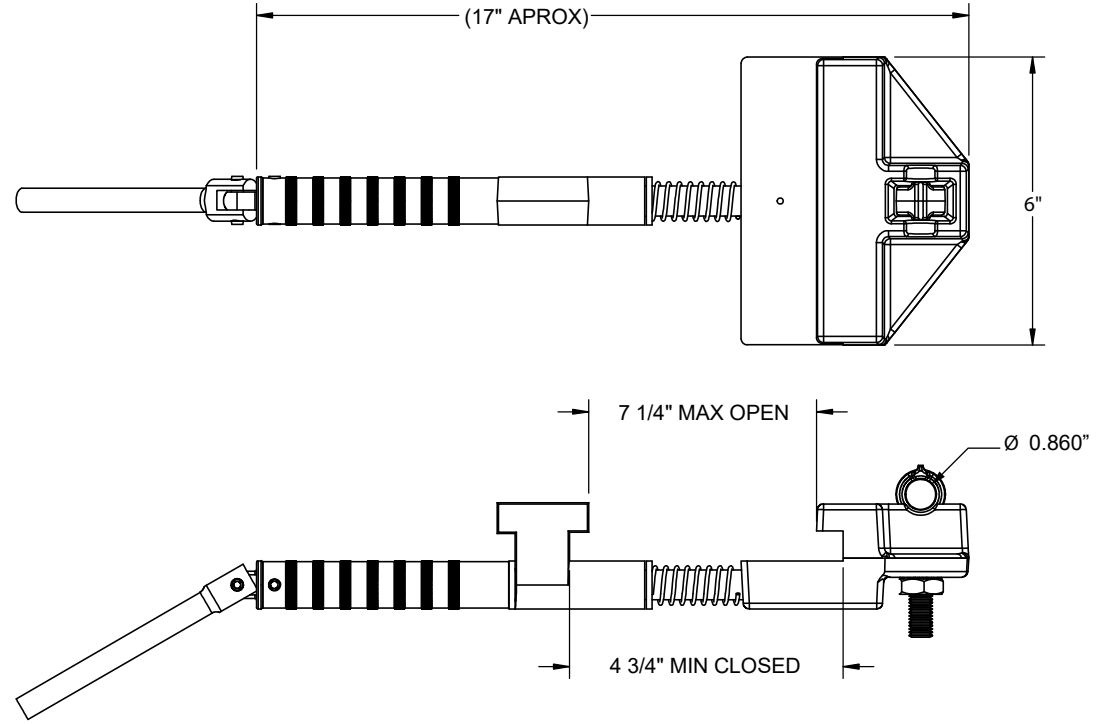
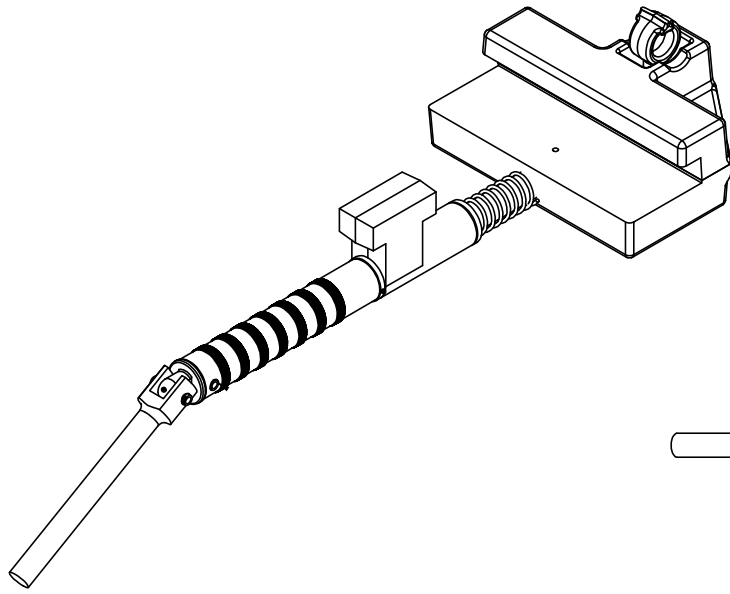


REVISIONS			
REV	DESCRIPTION	DATE	APPROVED
-	NEW RELEASE	01/07/2024	J. LEE



UNDER RAIL CLAMP

Main Line:
Minimum: 5 Inch
Maximum: 6 Inch

Material: Aluminum

Jaw: Smooth
Size: 90 to 136 Lbs.

Current:
First Peak Current: 70 kA or less
61 kA peak for 250 msec (15 cycles)
43 kA RMS for 250 msec (15 cycles)
400 A Continuous operating Current

Tested per ASTM 855
Made in the USA

DO NOT SCALE THIS DRAWING ALL DIMENSIONS ARE IN INCHES UNLESS OTHERWISE SPECIFIED TOLERANCE: ANGLES ± 0.5° DEC. .XX ± 0.03 DEC. .XXX ± 0.010	DRAWN BY D. MILLER	DATE 01/07/2024	 www.silverstatewire.com
	CHECKED BY J. LEE	DATE 01/07/2024	
	APPROVED BY J. LEE	DATE 01/07/2024	
	APPROVED BY N/A	DATE N/A	
THIS DRAWING IS THE PROPERTY OF SILVER STATE WIRE & CABLE AND SHALL NOT BE REPRODUCED, COPIED, OR USED AS THE BASIS FOR THE MANUFACTURE OR SELL OF THIS DESIGN WITHOUT THE WRITTEN PERMISSION OF SILVER STATE WIRE AND CABLE.	DESCRIPTION 03-02-10035, Under Rail Clamp (90-136 lbs RAIL), 0.86 inch ID ring		SIZE A
CAGE CODE 01CV1		DWG NO. J-9378-00420	REV -
SCALE NONE		WT N/A	SHEET 1 OF 1

D
C
B
A