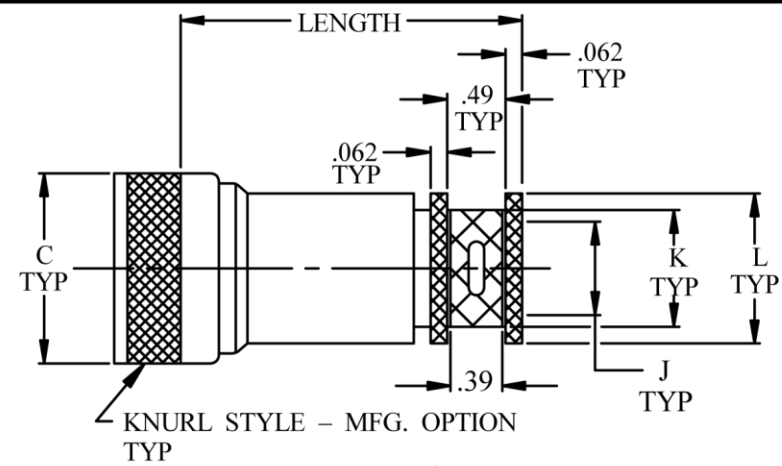


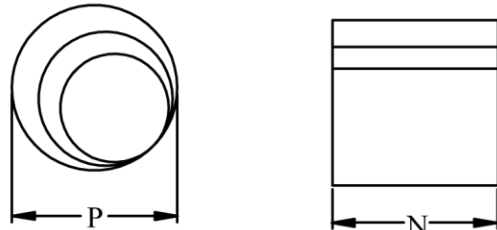
# DRAWING ISO 150 REV. "AF"

## QUICK REFERENCE TABLE

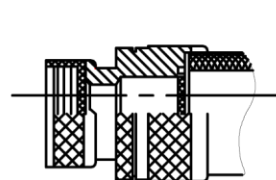
SHELL SIZE SEE TABLE IV H	E REF	G REF	H MAX	MAX ENTRY DES. A	MAX ENTRY DES. F,H,L
08	09	0.390	0.890	1.280	02, 31
10	11	0.420	0.920	1.360	03, 32
12	13	0.440	0.940	1.420	04, 33
14	15	0.460	0.970	1.480	04, 34
16	17	0.480	0.990	1.540	05, 35
18	19	0.500	1.000	1.560	06, 35
20	21	0.520	1.020	1.630	07, 36
22	23	0.550	1.060	1.690	08, 37
24	25	0.570	1.090	1.710	09, 38
28		0.790	1.260	1.850	10, 38
					N/A



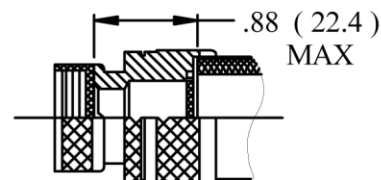
**TYPE S**  
STRAIGHT



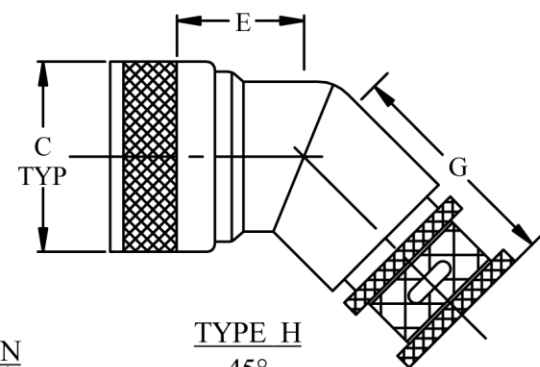
TOLERANCE: {Unless otherwise noted}  
 2 PLACE DEC ± .030  
 3 PLACE DEC ± .015  
 ANGULAR ± 2°



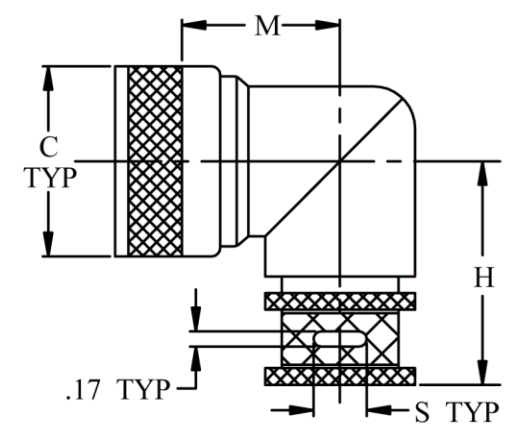
**STYLE 2**  
STRAIGHT  
SEE NOTE 4



**STYLE 2**  
45° & 90°  
SEE NOTE 4



**TYPE H**  
45°



**TYPE J**

PART NUMBER BREAKOUT (SEE NOTE 6)  
 FOR REVERSE BAYONETTE (SEE PAGE 4)

EXAMPLE:

ISO A S 150 NF 12 04 -5 S -N

PRODUCT SERIES —————  
 CONNECTOR DESIGNATOR —————  
 TABLE IV  
 ANGULAR TYPE —————  
 S, H, OR J  
 BASIC NUMBER —————  
 FINISH (SEE ISO 1000 DWG) —————  
 SHELL SIZE TABLE I —————  
 CABLE ENTRY DESIGNATOR TABLE III —————  
 LENGTH IN 1/4" INCREMENTS (STRAIGHT ONLY) —————  
 SLOT —————  
 NON - MAGNETIC BAND (OMIT FOR STAINLESS STEEL)

(ALL BACKSHELLS INCLUDE SPRING)

SPRING BAND DIMENSIONS			
PART #	P	N	CABLE ENTRY
ISO - 100	0.36	0.37	02 THRU 33
ISO - 200	0.57	0.37	04 THRU 36
ISO - 400	0.78	0.37	07 THRU 09
ISO - 500	0.98	0.37	10 THRU 12
ISO - 600	1.25	0.37	13 THRU 16



7706 E. OSIE - WICHITA, KS. 67207  
 U.S. PATENT #5,769,665  
 CAGE CODE # 031M6

BACKSHELL, EMI / RFI  
 SPRING BAND

# DRAWING ISO 150 REV. "AF"

SHELL SIZE TABLE											TABLE I				
A	C*	D	E	F	G	H	J	K	L	S	A THREAD REF.	B DIA. MAX.	C DIA. +.030 MAX	D DIA. MAX.	E DIA. MAX.
		8	8	8/[9]				8	8	8	7/16—28 UNF	.59 (15.0)	.65 (16.5)	.77 (19.6)	.69 (17.5)
						9/A					M12 X 1—6H	.65 (16.5)	.77 (19.6)		.94 (24.8)
8											1/2—20 UNF	.65 (16.5)	.65 (16.5)		.69 (17.5)
							8/A	10			1/2—28 UNEF	.65 (16.5)	.77 (19.6)	.77 (19.6)	
3		10	10	10/[11]				11	10	10	9/16—24 UNEF	.72 (18.3)	.77 (19.6)	.89 (22.6)	.82 (20.8)
						11/B					M15 X 1—6H	.77 (19.6)	.82 (20.8)		1.06 (26.9)
10								12,13			5/8—24 UNEF	.77 (19.6)	.77 (19.6)	.89 (22.6)	.82 (20.8)
							10/B				5/8—28 UN	.77 (19.6)	.89 (22.6)		
		12		12/[13]					12	12	11/16—24 UNEF	.84 (21.3)	.89 (22.6)	1.02 (25.9)	.94 (23.8)
						13/C					M18 X 1—6H	.89 (22.6)	.94 (23.9)		1.17 (29.7)
12/7	12		12		11/A			14,15			3/4—20 UNEF	.91 (23.1)	.89 (22.6)	1.02 (25.9)	.94 (23.8)
											3/4—20 UN	.94 (23.9)			
		14	14	14/[15]					14	14	13/16—20 UNEF	.97 (24.6)	1.02 (25.9)	1.15 (29.2)	1.06 (26.9)
						15/D					M22 X 1—6H	1.03 (26.2)	1.07 (27.2)		1.29 (32.7)
14/12	14				13/B			16,17			7/8—20 UNEF	1.03 (26.2)	1.02 (25.9)	1.15 (29.2)	1.06 (26.9)
											7/8—20 UN	1.07 (27.2)			
							14/D				7/8—20 UN	1.03 (26.2)	1.15 (29.2)		
		16	16	16/[17]					16	16	15/16—20 UNEF	1.09 (27.7)	1.15 (29.2)	1.26 (32.0)	1.17 (29.7)
						17/E					M25 X 1—6H	1.15 (29.2)	1.21 (30.7)		1.42 (36.1)
16/19	16				15/C			18			1—20 UNEF	1.15 (29.2)	1.15 (29.2)	1.23 (32.2)	1.17 (29.7)
											1—20 UN		1.21 (30.7)		
							16/E				1—28 UN	1.15 (29.2)	1.36 (34.5)		
18/27		18	18	18/[19]					18	18	1—1/16—18 UNEF	1.22 (31.0)	1.23 (31.2)	1.40 (35.6)	1.29 (32.7)
						19/F					M28 X 1—6H	1.28 (32.5)	1.36 (34.5)		1.54 (39.1)
	18				17/D			20			1—1/8—18 UNEF	1.28 (32.5)	1.41 (35.7)	1.36 (34.5)	
							18/F				1—1/8—28 UN	1.28 (32.5)	1.48 (37.6)		
20/37		20	20	20/[21]					20	20	1—3/16—18 UNEF	1.34 (34.0)	1.36 (34.5)	1.53 (38.9)	1.42 (36.0)
						21/G					M31 X 1—6H	1.41 (35.8)	1.48 (37.6)		1.67 (42.4)
		20			19/E			22			1—1/4—18 UNEF	1.41 (35.8)	1.53 (38.9)	1.48 (37.6)	
							20/G				1—1/4—28 UN	1.41 (35.8)	1.60 (40.6)		
22		22	22	22/[23]					22	22	1—5/16—18 UNEF	1.47 (37.3)	1.48 (37.6)	1.60 (40.6)	1.54 (39.1)
						23/H					M34 X 1—6H	1.53 (38.9)	1.60 (40.6)		2.01 (51.1)
								24			1—3/8—18 UNEF	1.53 (38.9)		1.60 (40.6)	
							22/H				1—3/8—28 UN	1.53 (38.9)	1.73 (43.9)		
24		24	24	24/[25]	23/F			24	24	24	1—7/16—18 UNEF	1.59 (40.4)	1.60 (40.4)	1.94 (49.3)	1.66 (42.4)
						25/J					M37 X 1—6H	1.66 (42.4)	1.70 (43.2)		2.12 (53.8)
61											1—1/2—18 UNEF	1.66 (42.4)	1.67 (42.4)		
							24/J				1—1/2—28 UN	1.66 (42.4)	1.94 (49.3)		
					25/G						1—9/16—18 UNEF		1.82 (46.3)		
	24							28			1—5/8—18 UNEF	1.84 (46.7)		1.94 (49.3)	
28											1—3/4—18 UNS	1.97 (50.0)	1.97 (50.0)		2.01 (51.1)
	28				29/H			32			1—7/8—16 UN	2.09 (53.1)	2.19 (55.6)	2.19 (55.6)	
32											2—18 UNS	2.28 (57.9)	2.22 (58.4)		2.26 (57.4)
	32				33/J						2—1/16—16 UNS		2.44 (62.0)	2.44 (62.0)	
								36			2—1/8—16 UN	2.34 (59.4)		2.44 (62.0)	
36											2—1/4—16 UN	2.53 (64.3)	2.47 (62.7)		2.53 (64.3)
	36										2—5/16—16 UNS			2.69 (68.3)	
								40			2—3/8—16 UN	2.59 (65.8)		2.69 (68.3)	
40											2—1/2—16 UN	2.78 (70.6)	2.72 (69.1)		3.04 (77.2)
	40										2—5/8—16 UN			2.93 (74.4)	
44											2—3/4—16 UN	3.03 (77.0)	2.97 (75.4)		
48											3—16 UN	3.22 (81.8)	3.22 (81.8)		

\* LEFT HAND THREAD

[ ] REFERENCE ONLY — NOT USED IN FORMATION OF PART NUMBER

# DRAWING ISO 150 REV. "AF"

TABLE III - CABLE ENTRY DIMENSIONS					
CABLE ENTRY DES.	J	K	L	M (±.094)	S (NO. OF SLOTS)
01	0.125	0.250	0.450	0.593	(1) .125ø
31	0.188	0.312	0.512	0.625	(1) .170ø
02	0.250	0.375	0.575	0.656	(1) .170ø
32	0.312	0.438	0.638	0.687	(1) .170ø
03	0.375	0.500	0.700	0.719	(2) .250
33	0.438	0.562	0.762	0.750	(2) .250
04	0.500	0.625	0.825	0.781	(2) .250
34	0.562	0.688	0.888	0.812	(2) .250
05	0.625	0.750	0.950	0.844	(2) .500
35	0.688	0.812	1.012	0.875	(2) .500
06	0.750	0.875	1.075	0.906	(2) .500
36	0.812	0.938	1.138	0.937	(2) .500
07	0.875	1.000	1.200	0.969	(4) .500
37	0.938	1.062	1.262	1.000	(4) .500
08	1.000	1.125	1.325	1.031	(4) .500
38	1.062	1.188	1.388	1.062	(4) .500
09	1.125	1.250	1.450	1.094	(4) .500
10	1.250	1.375	1.575	1.156	(4) .750
11	1.375	1.500	1.700	1.219	(4) .750
12	1.500	1.625	1.825	1.281	(4) 1.000
13	1.625	1.760	1.950	1.344	(4) 1.000
14	1.750	1.875	2.075	1.406	(4) 1.000
15	1.875	2.000	2.200	1.469	(4) 1.000
16	2.000	2.125	2.325	1.531	(4) 1.000

**NOTES:**

1. FOR EFFECTIVE GROUNDING, CONNECTOR WITH CONDUCTIVE FINISH SHOULD BE USED.
2. MIN. ORDER LENGTH FOR STYLE 1-1.25(5), TOTAL LENGTH 1.50. FOR STYLE II MIN. ORDER LENGTH -1.50(6), TOTAL LENGTH 1.75.
3. DIMENSIONS E, G, M, H DO NOT APPLY WHEN STYLE II ADAPTER IS APPLIED. NO "O" RING APPLIED, SYMBOL A.
4. WHEN MAX. CABLE ENTRY IS EXCEEDED, STYLE 2 WILL BE SUPPLIED. PLEASE CONSULT FACTORY.
5. NON-MAGNETIC BAND MATERIAL - ELGILOY
6. SUFFIX 770 TO BE USED WHEN INSTALLED ON PT\*\*CE CONNECTORS MFG BY AMPHENOL.
7. USE MOD CODE ( -15C ) AT END OF PART NUMBER TO REMOVE KNURL FROM LAST RIDGE ONLY ON ADAPTER.
8. "J" CONNECTOR DESIGNATOR DIMENSIONS E, G, H, AND M WILL BE +.250

TABLE IV - CONNECTOR SERIES		
CONNECTOR DESIGNATOR	CONNECTOR SPECIFICATION	SERIES
( B ) SEE ISO 151 SERIES DRAWING	MIL - C - 5015	MS3100, 3101, 3106
	MIL - C - 5015	MS3400
	MIL - C - 26482	II
	MIL - C - 81703	III
	MIL - C - 83723	I & III
A	DEF 5926 - 3	
	LN 29504	
	NFC 93422	
	PAN 6432 - 1	
	PAN 6432 - 2	
	PATT 602	
C	MIL - C - 22992	R ***
D NOTE 6	MIL - C - 26482	I
E	MIL - C - 26500	ALUM
	MIL - C - 38999	I & II
	4CM38277	
	NFC 93422	HE 309
F	NFC 93422	HE 308
	PAN 6433 - 1	
	PATT 614	
	PATT 616	
G	MIL - C - 28840	
H	MIL - C - 38999	III & IV
	MIL - C - 81511	I & II
J	MIL - C - 81511	III & IV
	VG 95329	
K	MIL - C - 83723	II
	LN 29729	
	NFC - 93422	HE 306
L	PAN 6433 - 2	
	PATT 615	
	VG 96912	I
S	PATT 105, 603, 608	
R	VG 95234	
X	MIL - C - 81703	II

\*\*\* MIN LENGTH 1.75"



7706 E. OSIE - WICHITA, KS. 67207  
 U.S. PATENT #5,769,665  
 CAGE CODE # 031M6

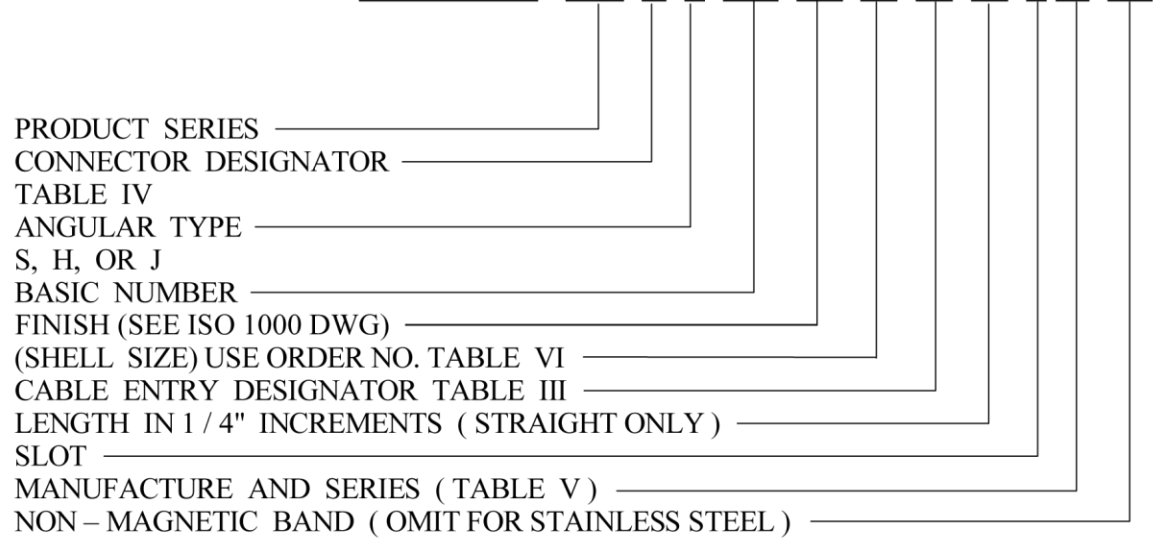
BACKSHELL, EMI / RFI  
 SPRING BAND

**REVERSE BAYONET**

TABLE V		TABLE VI									
CONN-CODE	MANUFACTURE AND SERIES DESCRIPTION	ORDER NO	SHELL SIZE VG95234	CONNECTOR DESIGNATOR	A THREAD CLASS 2B	C MAX	E MAX	F MAX	M MAX	H MAX	MAX ENTRY TABLE III
-	COMMITAL, VG95234 & 95328										
A	AMPHENOL, GT SERIES, VG95234										
B	ITT CANNON, VG95234	10	10SL	-, A, C, D, E	5/8-24 UNEF	1.00	0.982	1.100	1.184	1.304	03
C	LITTON VEAM, CIR SERIES, VG95234	11	10SL	B	9/16-24 UNEF	1.00	0.957	1.077	1.122	1.242	33
D	SPACE CRAFT, VG95234	12	12S	B	5/8-24 UNEF	1.00	0.982	1.100	1.184	1.304	03
E	JTECH, TTCIR, VG95234	14	14S	-, A, B, C, D, E	3/4-20 UNEF	1.13	0.955	1.115	1.215	1.335	04
		16	16S	-, A, B, C, D, E	7/8-20 UNEF	1.13	1.021	1.141	1.287	1.398	05
		17	16	-, A, B, C, D, E	7/8-20 UNEF	1.25	1.021	1.141	1.287	1.398	05
		18	18	-, A, B, C, D, E	1-20 UNEF	1.38	1.047	1.167	1.340	1.460	06
		20	20	-, A, B, C, D, E	1 1/8-18 UNEF	1.50	1.073	1.193	1.403	1.523	07
		22	22	-, A, B, C, D, E	1 1/4-18 UNEF	1.63	1.099	1.219	1.465	1.585	07
		24	24	-, A, B, C, D, E	1 3/8-18 UNEF	1.75	1.133	1.253	1.548	1.668	38
		28	28	-, A, B, C, D, E	1 5/8-18 UNEF	1.98	1.177	1.297	1.653	1.773	09
		32	32	-, A, B, C, D, E	1 7/8-16 UNEF	2.23	1.229	1.349	1.778	1.898	12
		36	36	-, A, C, D, E	2 1/16-16 UNEF	2.48	1.267	1.387	1.871	1.991	14
		37	36	B	2 1/8-16 UNS	2.48	1.267	1.387	1.871	1.991	14
		39	40	B	2 3/8-16 UNS	2.73	1.332	1.452	2.028	2.148	16
		40	40	-, A, C, D, E	2 5/16-16 UNS	2.73	1.332	1.452	2.028	2.148	16

- NOTES:
- FOR EFFECTIVE GROUNDING, CONNECTOR WITH CONDUCTIVE FINISH SHOULD BE USED.
  - MIN. ORDER LENGTH FOR STYLE I-1.25 (-5), TOTAL LENGTH 1.50. FOR STYLE II MIN ORDER LENGTH 1.50 (-6), TOTAL LENGTH 1.75.
  - DIMENSIONS E, G, M, H, DO NOT APPLY WHEN STYLE II ADAPTER IS APPLIED. NO "O" RING APPLIED, SYMBOL A.
  - WHEN MAX CABLE ENTRY IS EXCEEDED, STYLE II WILL BE SUPPLIED. PLEASE CONSULT FACTORY.
  - NON-MAGNETIC BAND MATERIAL - ELGILOY.
  - SUFFIX 770 TO BE USED TO ACCOMMODATE LARGE GROMETS LIKE PT\_\_CE CONNECTORS MFG BY AMPHENOL AND CANNON.
  - BACKSHELL IS DESIGNED TO ACCOMMODATE WIRE SEAL GROMMET AND FOLLOWER SUPPLIED WITH CONNECTOR.
  - ALL REVERSE BAYONET BACKSHELLS HAVE A MIN LENGTH OF 2 INCHES OR (-8).
  - WHEN CONNECTOR CODE "R" IS USED IT IS BEST PRACTICE TO DISCARD CONNECTOR ENDBELL AND REPLACE WITH ISODYNE ADAPTER.

**EXAMPLE: ISO R S 150 NF 11 03 -8 S B -N**

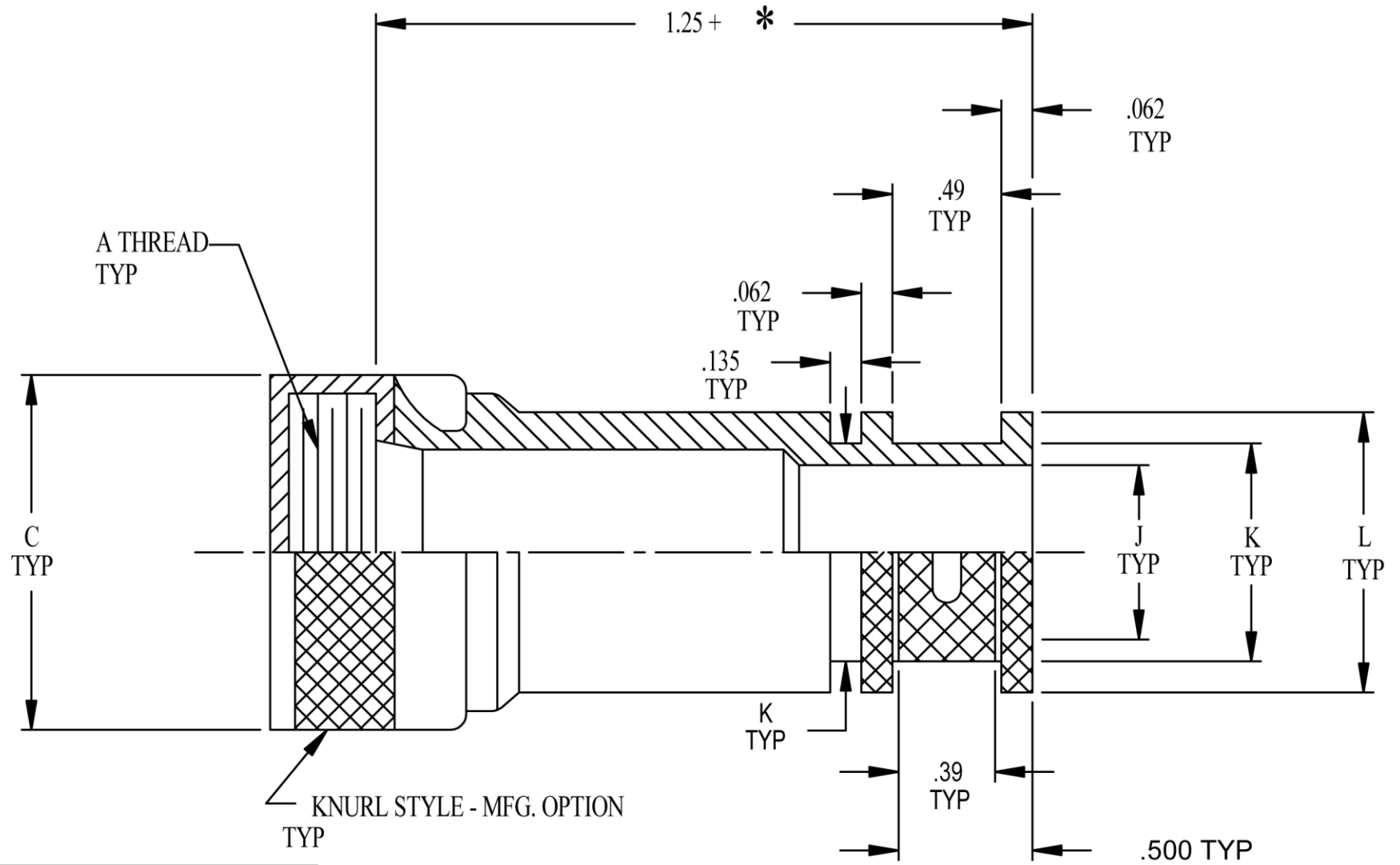


**ISODYNE INC**

7706 E. OSIE - WICHITA, KS. 67207  
 U.S. PATENT #5,769,665  
 CAGE CODE # 031M6

BACKSHELL, EMI / RFI  
 SPRING BAND

DRAWING ISO 150 REV. "AF"



TYPE S  
STRAIGHT

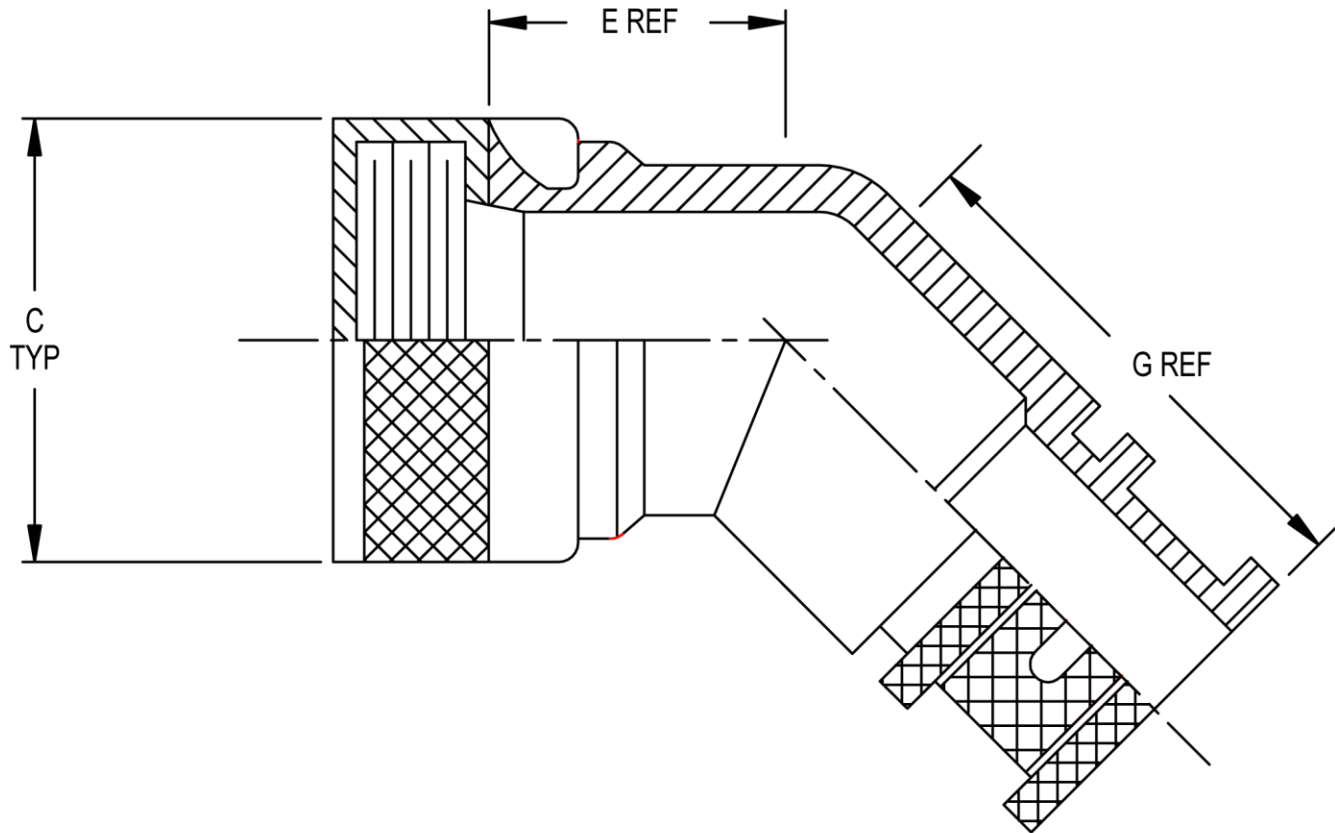
\* **NOTE:** Will increase  
in 1/4" increments

ISODYNE INC

7706 E. OSIE - WICHITA, KS. 67207  
U.S. PATENT #5,769,665  
CAGE CODE # 031M6

BACKSHELL, EMI / RFI  
SPRING BAND



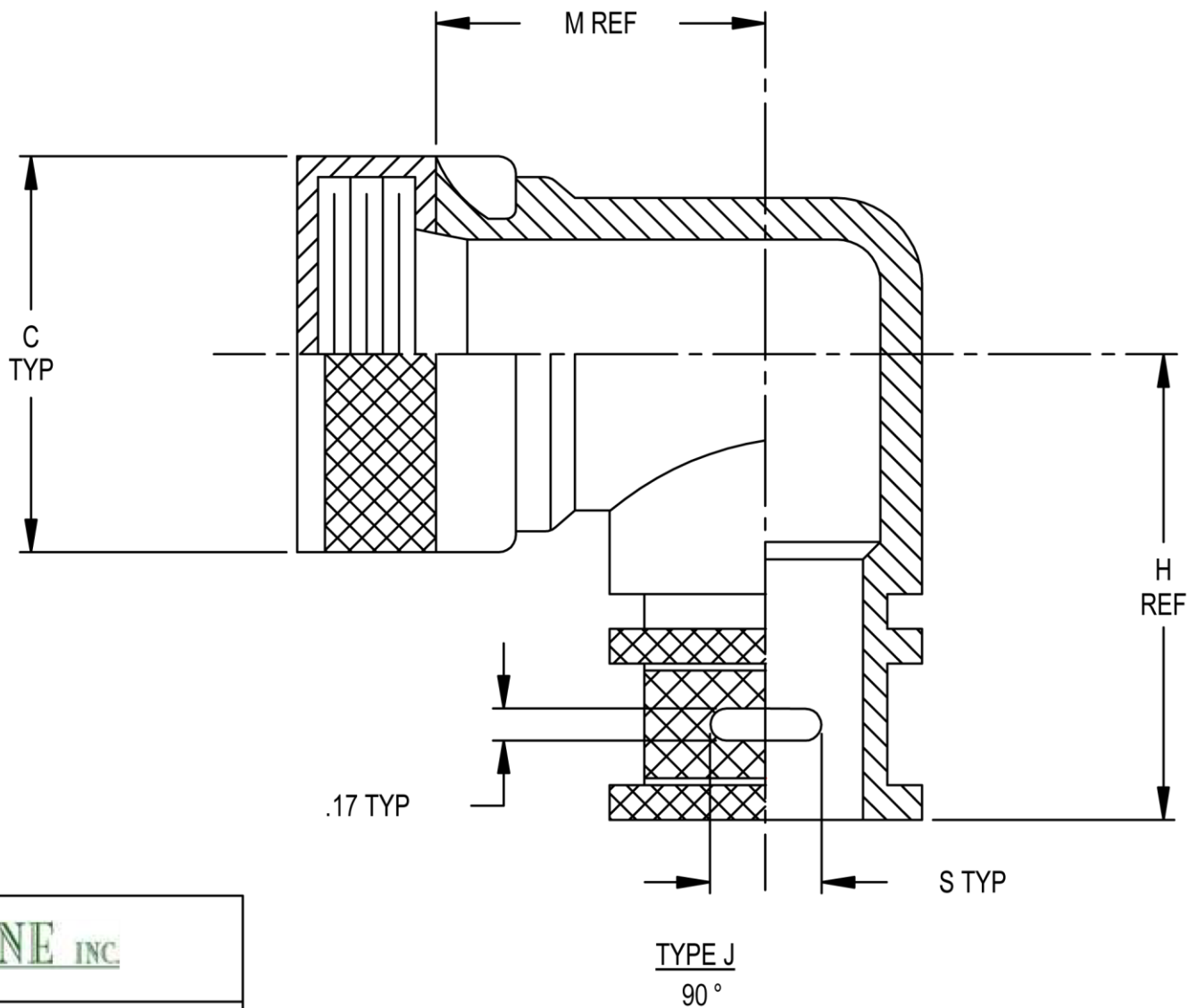


TYPE H  
45°

ISODYNE INC

7706 E. OSIE - WICHITA, KS. 67207  
U.S. PATENT #5,769,665  
CAGE CODE # 031M6

BACKSHELL, EMI / RFI  
SPRING BAND



ISODYNE INC

7706 E. OSIE - WICHITA, KS. 67207

U.S. PATENT #5,769,665

CAGE CODE # 031M6

BACKSHELL, EMI / RFI  
SPRING BAND